

- EST.  1982 -

STANLEY'S
BAR & GRILL

KIDS MENU

FOR KIDS AGED 12 & UNDER

CHOOSE YOUR
MEAL, THEN
HELP US SOLVE
THE PUZZLES!



MAINS

CHICKEN TENDERS & FRIES - \$14
honey mustard dipping sauce

CHEESE FLATBREAD & FRIES - \$14

HOT DOG & FRIES - \$13

MAC & CHEESE - \$14

SWEET TREAT

KIDS ICE CREAM SUNDAE - \$8
*vanilla ice cream, chocolate syrup,
whipped cream, cookie crumble*

DRINKS

POP - \$3
*pepsi, ginger ale, 7-up,
root beer or iced tea*

JUICE - \$3
*cranberry, apple, orange
or pineapple*

SHIRLEY TEMPLE - \$4



Help Ranger make his
way to the Lighthouse!

RANGER RACCOON'S
LIGHTHOUSE
LABYRINTH



START



FINISH



OLLIE OTTER'S
WORD
SEARCH

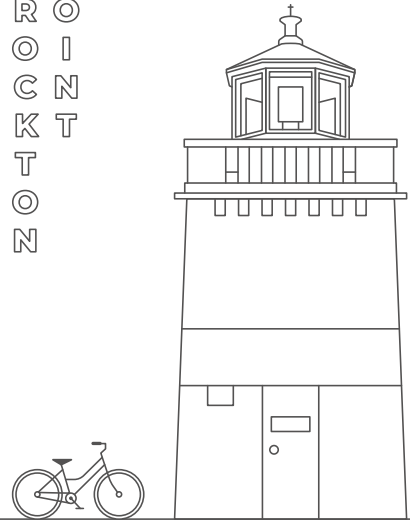
Can you find all
the words below?

Coyote Otter
Cedar Trail
Fir Raccoon
Rose Tree
Forest Stanley
Skunk Vancouver



PRICES DO NOT INCLUDE TAXES

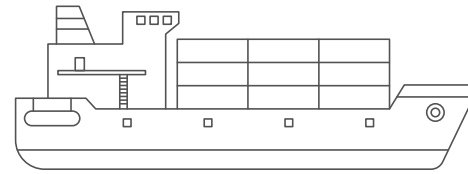
B
P
R
O
I
N
T
N
O
N



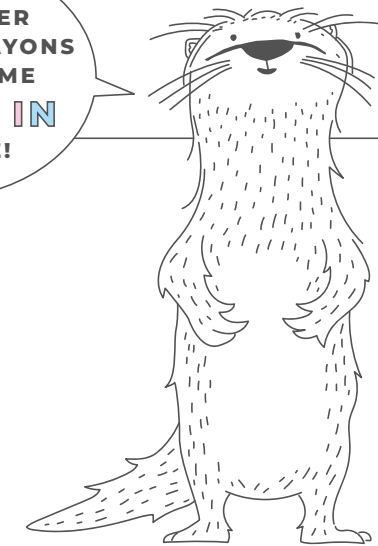
THE ROSE
GARDEN

THE STANLEY PARK SEAWALL

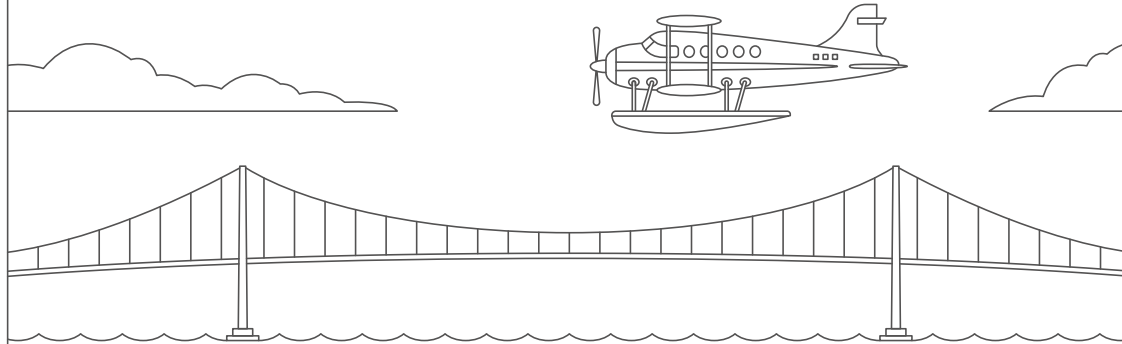
OLLIE OTTER'S
COLOURING
PAGE



ASK
YOUR SERVER
FOR SOME CRAYONS
THEN HELP ME
COLOUR IN
THIS PAGE!



LIONS GATE BRIDGE



BEAVER
LAKE TRAIL

